

In each case of the function given in polar coordinates, convert the equation in rectangular coordinates and graph the equation.

1.) $\theta = \frac{\pi}{3}$

4.) $r = 3 \cos \theta$

7.) $r = \cos 2\theta$

10.) $r = \sin 3\theta$

2.) $r = 3$

5.) $r = 1 + 2 \cos \theta$

8.) $r = \sin 2\theta$

11.) $r = \sin \theta + \cos \theta$

3.) $r = 2 \sin \theta$

6.) $r = 1 + \cos \theta$

9.) $r = \cos 3\theta$

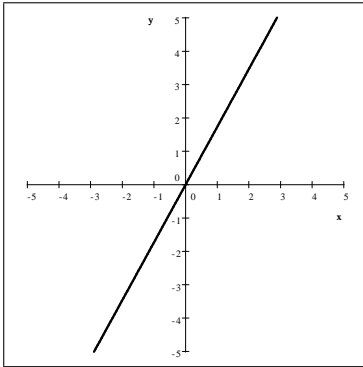
12.) $r = \theta$

Answers

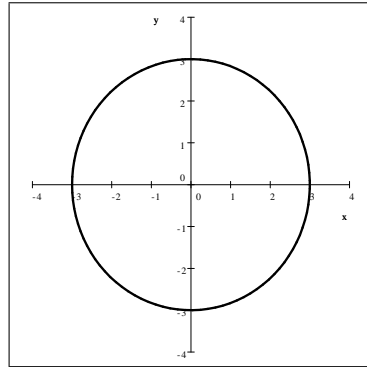
In each case of the function given in polar coordinates,

- a) convert the equation in rectangular coordinates b) graph the equation.

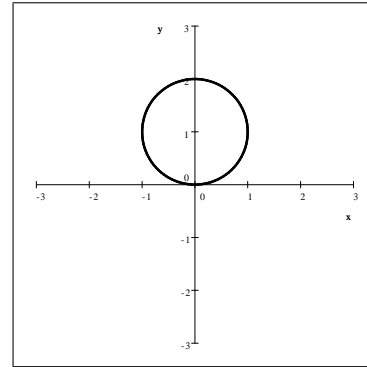
1.) $\theta = \frac{\pi}{3}$
 $y = \sqrt{3}x$



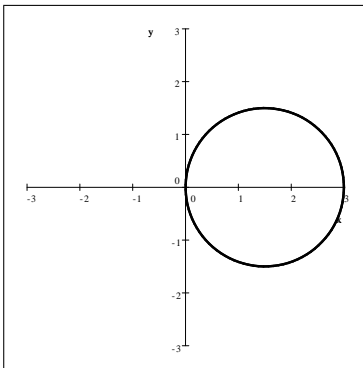
2.) $r = 3$
 $x^2 + y^2 = 9$



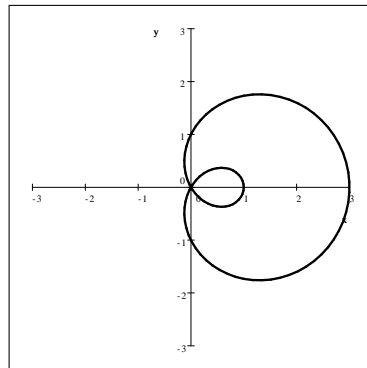
3.) $r = 2 \sin \theta$
 $x^2 + (y - 1)^2 = 1$



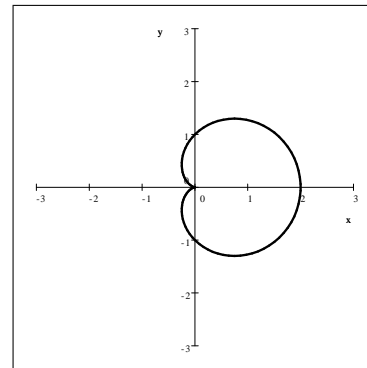
4.) $r = 3 \cos \theta$
a) $\left(x - \frac{3}{2}\right)^2 + y^2 = \frac{9}{4}$



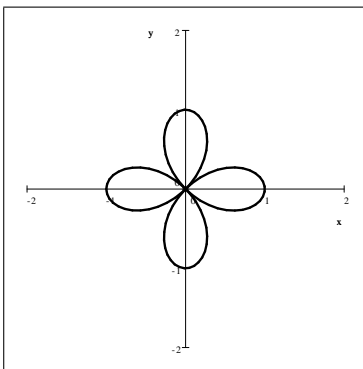
5.) $r = 1 + 2 \cos \theta$
 $(x^2 + y^2 - 2x)^2 = x^2 + y^2$



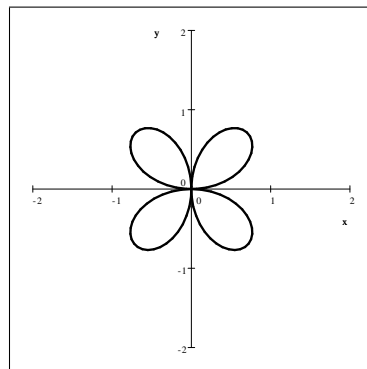
6.) $r = 1 + \cos \theta$
 $(x^2 + y^2 - x)^2 = x^2 + y^2$



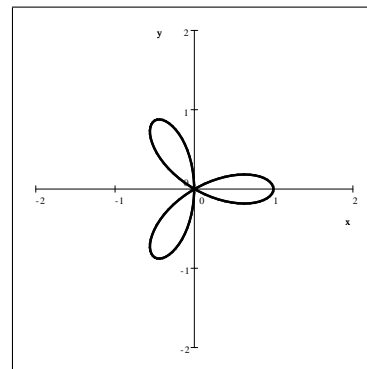
7.) $r = \cos 2\theta$
 $(x^2 + y^2)^3 = (x^2 - y^2)^2$



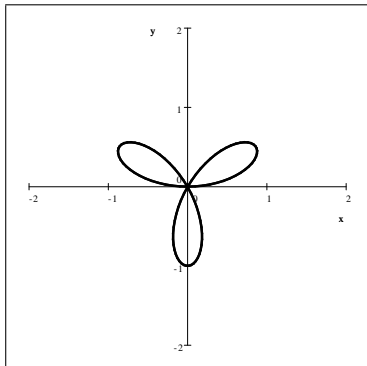
8.) $r = \sin 2\theta$
 $(x^2 + y^2)^3 = 4x^2y^2$



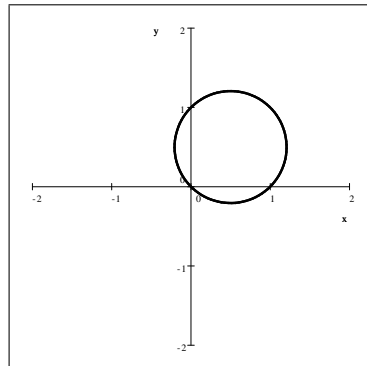
9.) $r = \cos 3\theta$



10.) $r = \sin 3\theta$

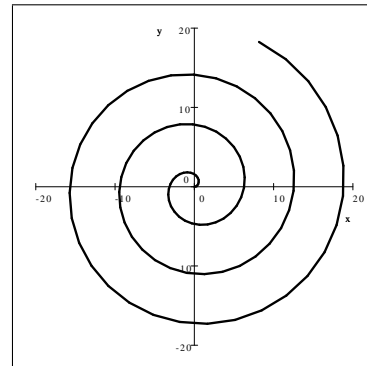


11.) $r = \sin \theta + \cos \theta$
 $\left(x - \frac{1}{2}\right)^2 + \left(y - \frac{1}{2}\right)^2 = \frac{1}{2}$



12.) $r = \theta$

$\tan\left(\sqrt{x^2 + y^2}\right) = \left(\frac{y}{x}\right)$



For more documents like this, visit our page at <http://www.teaching.martahidegkuti.com> and click on Lecture Notes. E-mail questions or comments to mhidegkuti@ccc.edu.